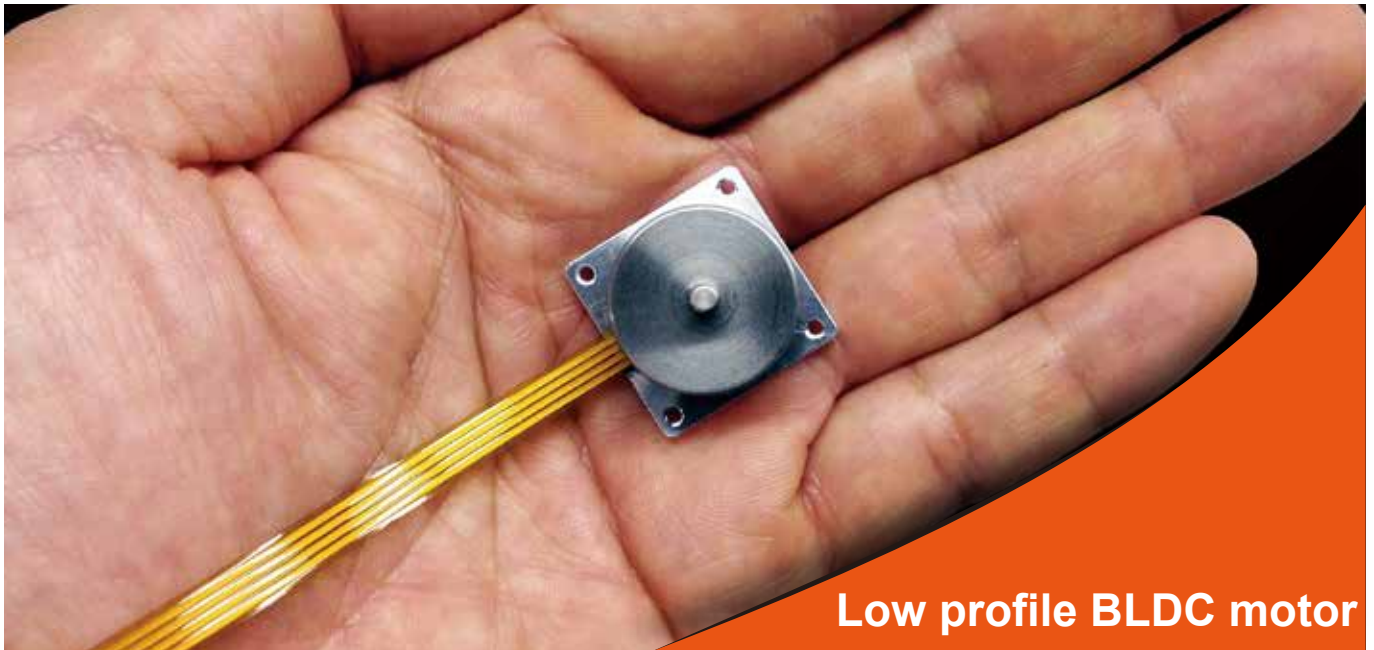


Smaller in size, larger in business with ASPINA motors.

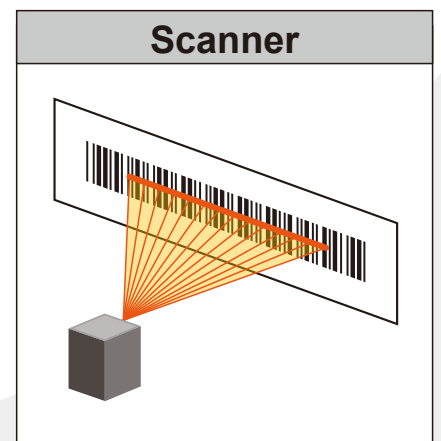
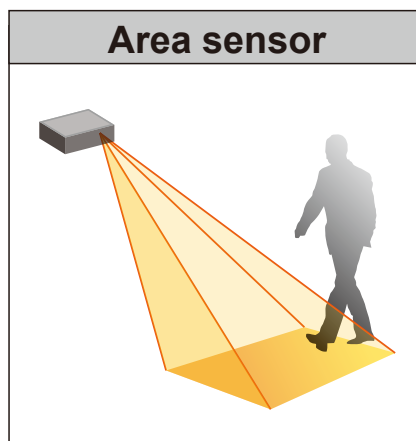
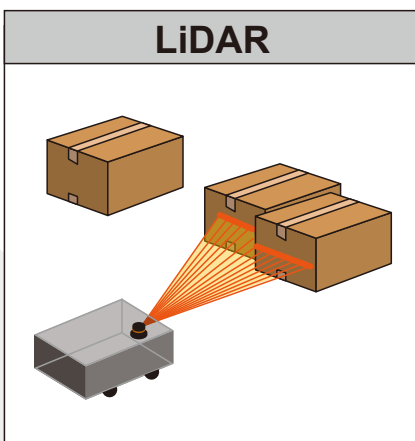


Features

Flat shape	8.4 mm
Small footprint	22 mm ²
Low weight	10 g

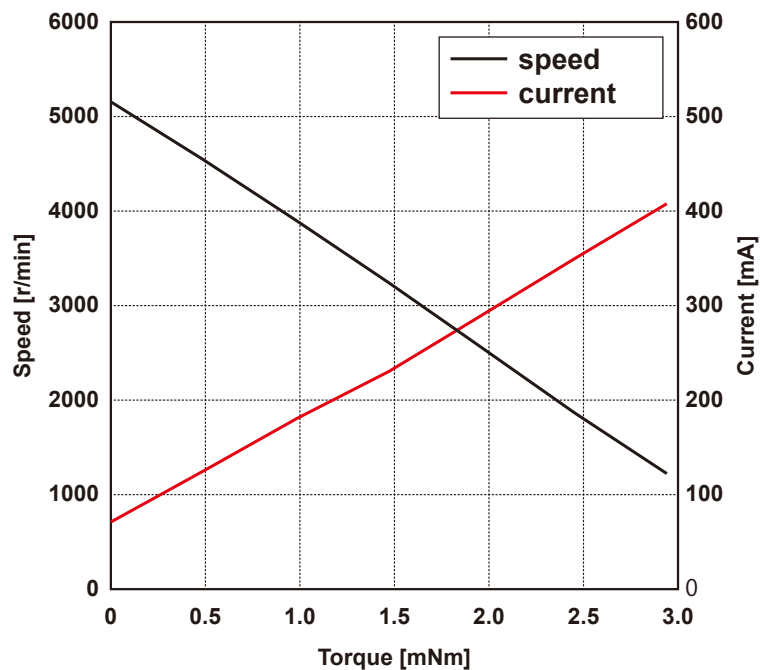


Applications

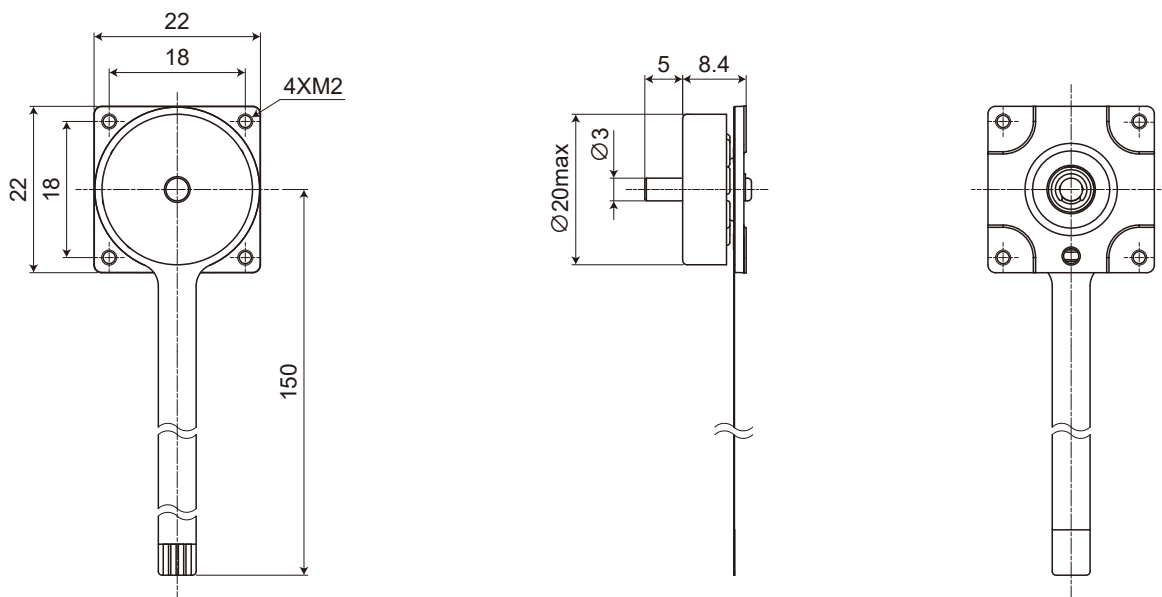


Specifications

Model	DR-20312
Type	Outer rotor type
Number of phase	3
Number of poles / slots	12 / 9
Classification of protection	Open type (IP20)
Rated voltage	5 VDC
Rated output	0.5 W
Rated speed	3'000 r/min
Mass of motor	10 g



Dimensions



Contact

ASPINA

■ Europe

Shinano Kenshi Europe GmbH
 Mergenthalerallee 77
 65760 Eschborn
 Germany
 info@shinano.de
<https://eu.aspina-group.com>

■ USA

Shinano Kenshi Corporation
 6065 Bristol Parkway
 Culver City, California 90230
 U.S.A.
 info@shinano.com
<https://us.aspina-group.com>

■ Japan (Headquarter)

Shinano Kenshi Co., Ltd.
 1078, Kami-maruko, Ueda City
 Nagano 386-0496
 Japan